

## Container Types Overview

---

By the wide range of different standard and special container types we are able to offer the suitable container for every product.

Details on the dimensions and loading of the containers are given on the page below.

**Note:**

The given data are merely base data. There might be differences depending on the carrier.

---

**Standard Container 20' 40' 40' High-Cube Version**

Suitable for any general cargo. Various lashing devices on the top and bottom longitudinal rails and cornerpost.

**Hardtop Container 20' 40' 40' High-Cube Version**

Equipped with a removable steelroof. Especially for heavy loads and overheight cargo. Loading through roof opening and doorway by swung out doorheader.

**Open-Top Container 20' 40'**

With removable tarpaulin. Especially for overheight cargo. Loading either from top side or door side by swung out doorheader.

**Flat Rack 20' 40' 40' High-Cube Version**

Especially for heavy loads and overwidth cargo.

**Platform 20' 40'**

Especially for heavy loads and oversized cargo. Non domestic shipments.

**Ventilated Container 20'**

Especially for cargo which needs ventilation.

**Refrigerated Container 20' 40' 40' High-Cube Version**

Reefer Container do have their own electrically operated cooling/ heating unit. The power supply is provided by ship's electrical plant, by terminal or by "clip-on" diesel generator.

**Insulated Container 20' 40'**


These container do not have their own cooling facility. The cooling/ heat is supplied by a onboard Conair plant, by terminal or by a "clip-on" reefer unit.


**Tank Container 20'**


For the transport of liquid food, e.g.:


- Alcohols
- Fruit juices
- Edible oils
- Food additives.


Kuehne & Nagel offers you, with regard to your requirements a made to measures service. For more details please contact your nearest Kuehne & Nagel office.


Container 20' Standard			Millimeter/mm	Foot/ft
	<b>Internal</b>	Length	5895	19' 4 1/8"
		Width	2350	7' 8 1/2"
		Height	2392	7' 10 1/8"
	<b>Door Opening</b>	Width	2340	7' 8 1/8"
		Height	2292	7' 6 1/4"
			<b>Kilogramm/kg</b>	<b>Lbs/Pound</b>
	<b>Weight</b>	Max. Gross	30480	67200
		Tare	2250	4960
		Max. Payload	28230	62240
			<b>Cubic meter m<sup>3</sup></b>	<b>Cubic foot cu.ft</b>
<b>Capacity</b>		33,2	1172	

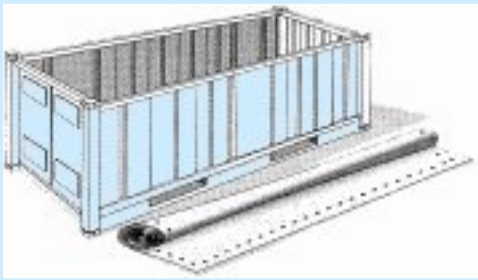
Container 40' Standard			Millimeter/mm	Foot/ft
	<b>Internal</b>	Length	12029	39' 5 1/2"
		Width	2350	7' 8 1/2"
		Height	2392	7' 10 1/8"
	<b>Door Opening</b>	Width	2340	7' 8 1/8"
		Height	2292	7' 6 1/4"
			<b>Kilogramm/kg</b>	<b>Lbs/Pound</b>
	<b>Weight</b>	Max. Gross	30480	67200
		Tare	3780	8330
		Max. Payload	26700	58870
			<b>Cubic meter m<sup>3</sup></b>	<b>Cubic foot cu.ft</b>
<b>Capacity</b>		67,7	2390	

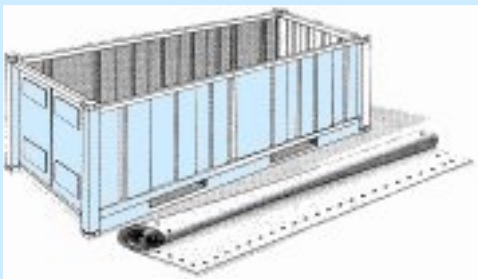
Container 40' Standard High Cube			Millimeter/mm	Foot/ft
	<b>Internal</b>	Length	12024	39' 5 3/8"
		Width	2350	7' 8 1/2"
		Height	2697	8' 10 1/8"
	<b>Door Opening</b>	Width	2338	7' 8"
		Height	2585	8' 5 3/4"
			<b>Kilogramm/kg</b>	<b>Lbs/Pound</b>
	<b>Weight</b>	Max. Gross	30480	67200
		Tare	4020	8860
		Max. Payload	26460	58340
			<b>Cubic meter m<sup>3</sup></b>	<b>Cubic foot cu.ft</b>
<b>Capacity</b>		76,3	2694	

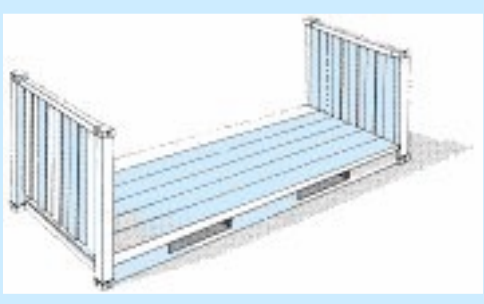
Container 20' Hardtop			Millimeter/mm	Foot/ft
	<b>Internal</b>	Length	5886	19' 3 3/4"
		Width	2342	7' 8 1/8"
		Height	2375	7' 9 1/2"
	<b>Door Opening</b>	Width	2336	7' 8"
		Height	2280	7' 5 3/4"
			<b>Kilogramm/kg</b>	<b>Lbs/Pound</b>
	<b>Weight</b>	Max. Gross	30480	67200
		Tare	2290	5710
		Max. Payload	27890	61490
			<b>Cubic meter m<sup>3</sup></b>	<b>Cubic foot cu.ft</b>
<b>Capacity</b>		32,8	1160	

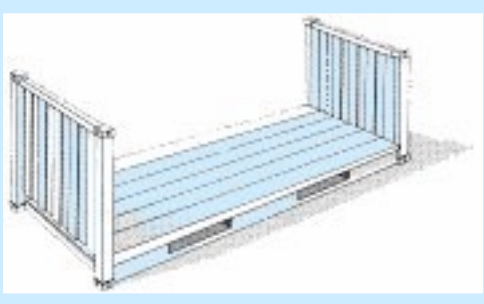
Container 40' Hardtop			Millimeter/mm	Foot/ft
	<b>Internal</b>	Length	12020	39' 5 1/4"
		Width	2342	7' 10"
		Height	2388	7' 10"
	<b>Door Opening</b>	Width	2336	7' 8"
		Height	2292	7' 6 1/4"
			<b>Kilogramm/kg</b>	<b>Lbs/Pound</b>
	<b>Weight</b>	Max. Gross	30480	67200
		Tare	4700	10360
		Max. Payload	25780	56840
			<b>Cubic meter m<sup>3</sup></b>	<b>Cubic foot cu.ft</b>
<b>Capacity</b>		67,2	2374	

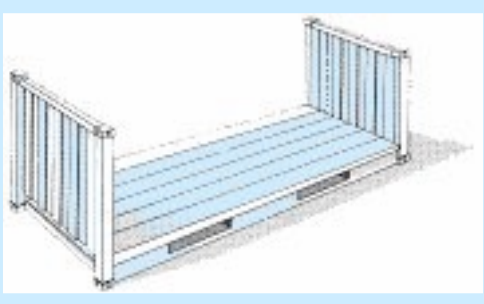
Container 40' Hardtop High Cube			Millimeter/mm	Foot/ft
	<b>Internal</b>	Length	12020	39' 5 1/4"
		Width	2342	7' 8 1/8"
		Height	2693	8' 10"
	<b>Door Opening</b>	Width	2336	7' 8"
		Height	2597	8' 6 1/4"
			<b>Kilogramm/kg</b>	<b>Lbs/Pound</b>
	<b>Weight</b>	Max. Gross	30480	67200
		Tare	4900	10803
		Max. Payload	25580	56394
			<b>Cubic meter m<sup>3</sup></b>	<b>Cubic foot cu.ft</b>
<b>Capacity</b>		75,8	2677	

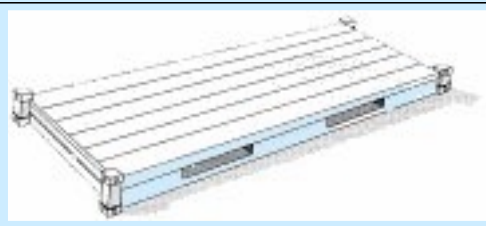
<b>Container 20' Open-Top</b>			<b>Millimeter/mm</b>	<b>Foot/ft</b>
	<b>Internal</b>	Length	5897	19' 4 1/8"
		Width	2350	7' 8 1/2"
		Height	2377	7' 9 1/2"
	<b>Door Opening</b>	Width	2338	7' 8"
		Height	2280	7' 5 3/4"
			<b>Kilogramm/kg</b>	<b>Lbs/Pound</b>
	<b>Weight</b>	Max. Gross	30480	67200
		Tare	2350	5180
		Max. Payload	28130	62020
			<b>Cubic meter m<sup>3</sup></b>	<b>Cubic foot cu.ft</b>
<b>Capacity</b>		32,5	1149	

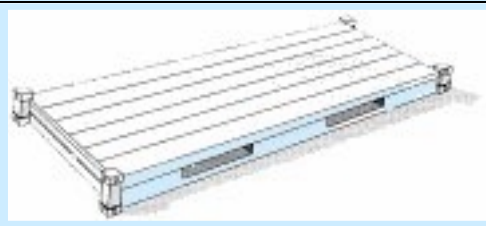
<b>Container 40' Open-Top</b>			<b>Millimeter/mm</b>	<b>Foot/ft</b>
	<b>Internal</b>	Length	12030	39' 5 5/8"
		Width	2350	7' 8 1/2"
		Height	2377	7' 9 1/2"
	<b>Door Opening</b>	Width	2338	7' 8"
		Height	2292	7' 6 1/4"
			<b>Kilogramm/kg</b>	<b>Lbs/Pound</b>
	<b>Weight</b>	Max. Gross	30480	67200
		Tare	3850	8490
		Max. Payload	26630	58708
			<b>Cubic meter m<sup>3</sup></b>	<b>Cubic foot cu.ft</b>
<b>Capacity</b>		66,4	2345	

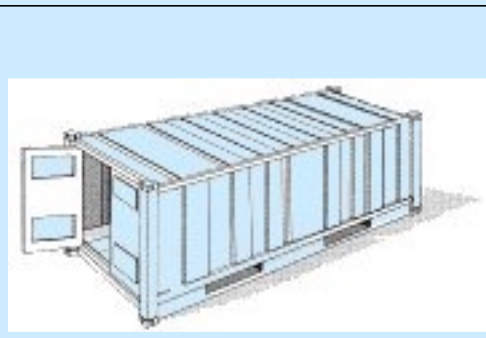
Container 20' Flat Rack			Millimeter/mm	Foot/ft
	<b>Internal</b>	Length floor	6038	19' 9 3/4"
		Length min.	5612	18' 4 7/8"
		Width floor	2438	8' 0"
		Width min.	2210	7' 2 7/8"
		Height	2213	7' 3 1/8"
		Height bottom	370	1' 2 9/16"
			<b>Kilogramm/kg</b>	<b>Lbs/Pound</b>
	<b>Weight</b>	Max. Gross	34000	74956
		Tare	2740	6040
		Max. Payload	31260	68910


Container 40' Flat Rack			Millimeter/mm	Foot/ft
	<b>Internal</b>	Length floor	12086	39' 7 7/8"
		Length min.	11826	38' 9 5/8"
		Width floor	2224	7' 3 1/2"
		Width min.	2224	7' 3 1/2"
		Height	1981	6' 6"
		Height bottom	610	2'
			<b>Kilogramm/kg</b>	<b>Lbs/Pound</b>
	<b>Weight</b>	Max. Gross	30480	67200
		Tare	4200	9265
		Max. Payload	26280	57935


Container 40' Flat Rack High Cube			Millimeter/mm	Foot/ft
	<b>Internal</b>	Length floor	12060	39' 6 3/4"
		Length min.	11660	38' 3 1/8"
		Width floor	2365	7' 9 1/8"
		Width min.	2200	7' 2 5/8"
		Height	2245	7' 4 3/8"
		Height bottom	648	2' 1 1/2"
			<b>Kilogramm/kg</b>	<b>Lbs/Pound</b>
	<b>Weight</b>	Max. Gross	45000	99210
		Tare	5700	12570
		Max. Payload	39300	86640


Container 20' Platform			Millimeter/mm	Foot/ft
	<b>Internal</b>	Length	6058	20'
		Width	2438	8'
		Height bottom	370	1' 2 9/16"
			<b>Kilogramm/kg</b>	<b>Lbs/Pound</b>
	<b>Weight</b>	Max. Gross	30400	74950
		Tare	2740	6040
		Max. Payload	31260	68910


Container 40' Platform			Millimeter/mm	Foot/ft
	<b>Internal</b>	Length	12192	40'
		Width	2438	8'
		Height bottom	648	2' 1 1/2"
			<b>Kilogramm/kg</b>	<b>Lbs/Pound</b>
	<b>Weight</b>	Max. Gross	45500	99210
		Tare	5700	12570
		Max. Payload	39300	86640


Container 20' Ventilated			Millimeter/mm	Foot/ft
	<b>Internal</b>	Length	5895	19' 4 3/32"
		Width	2321	7' 7 3/8"
		Height	2392	7' 10 1/8"
	<b>Door Opening</b>	Width	2340	7' 8 1/8"
		Height	2292	7' 6 1/4"
			<b>Kilogramm/kg</b>	<b>Lbs/Pound</b>
	<b>Weight</b>	Max. Gross	30480	67200
		Tare	2490	5490
		Max. Payload	27990	61710
		<b>Cubic meter m<sup>3</sup></b>	<b>Cubic foot cu.ft</b>	
<b>Capacity</b>		33	1167	


Container 20' Refrigerated			Millimeter/mm	Foot/ft
	<b>Internal</b>	Length	5534	18' 1 7/8"
		Width	2316	7' 7 3/10"
		Height	2331	7' 7 3/4"
	<b>Door Opening</b>	Width	2316	7' 7 3/16"
		Height	2290	7' 6 3/16"
			<b>Kilogramm/kg</b>	<b>Lbs/Pound</b>
	<b>Weight</b>	Max. Gross	30480	67200
		Tare	3030	6680
		Max. Payload	27450	60520
			<b>Cubic meter m<sup>3</sup></b>	<b>Cubic foot cu.ft</b>
<b>Capacity</b>		29,9	1056	

Container 40' Refrigerated High Cube			Millimeter/mm	Foot/ft
	<b>Internal</b>	Length	11583	38'
		Width	2286	7' 6"
		Height	2532	8' 3 5/8"
	<b>Door Opening</b>	Width	2294	7' 6 1/4"
		Height	2550	8' 4 3/8"
			<b>Kilogramm/kg</b>	<b>Lbs/Pound</b>
	<b>Weight</b>	Max. Gross	34000	74950
		Tare	4120	9080
		Max. Payload	29880	65870
			<b>Cubic meter m<sup>3</sup></b>	<b>Cubic foot cu.ft</b>
<b>Capacity</b>		67,0	2366	

Container 40' Refrigerated			Millimeter/mm	Foot/ft
	<b>Internal</b>	Length	11563	37' 11 1/4"
		Width	2294	7' 6 1/4"
		Height	2261	7' 5"
	<b>Door Opening</b>	Width	2288	7' 6"
		Height	2188	7' 2 1/8"
			<b>Kilogramm/kg</b>	<b>Lbs/Pound</b>
	<b>Weight</b>	Max. Gross	30480	74950
		Tare	4600	10140
		Max. Payload	29400	64820
			<b>Cubic meter m<sup>3</sup></b>	<b>Cubic foot cu.ft</b>
<b>Capacity</b>		60	2120	

<b>Container 20' Insulated</b>		<b>Millimeter/mm</b>	<b>Foot/ft</b>	
	<b>Internal</b>	Length	5724	18' 9 3/8"
		Width	2286	7' 6"
		Height	2014	6' 7 1/4"
	<b>Door Opening</b>	Width	2286	7' 6"
		Height	2067	6' 9 3/8"
			<b>Kilogramm/kg</b>	<b>Lbs/Pound</b>
	<b>Weight</b>	Max. Gross	24000	52910
		Tare	2550	5620
		Max. Payload	21450	47290
			<b>Cubic meter m<sup>3</sup></b>	<b>Cubic foot cu.ft</b>
<b>Capacity</b>		26,4	933	

<b>Container 40' Insulated</b>		<b>Millimeter/mm</b>	<b>Foot/ft</b>	
	<b>Internal</b>	Length	11840	38' 10 1/8"
		Width	2286	7' 6"
		Height	2120	6' 11 1/2"
	<b>Door Opening</b>	Width	2286	7' 6"
		Height	2195	7' 2 3/8"
			<b>Kilogramm/kg</b>	<b>Lbs/Pound</b>
	<b>Weight</b>	Max. Gross	30480	67200
		Tare	3850	8490
		Max. Payload	26630	58710
			<b>Cubic meter m<sup>3</sup></b>	<b>Cubic foot cu.ft</b>
<b>Capacity</b>		60,6	2140	

<b>Container 20' Tank</b>		<b>Kilogramm/kg</b>	<b>Lbs/Pound</b>
	<b>Volume</b>	27321	60260
			<b>Liter/Litre Water</b>
	<b>Capacity</b>	24000	